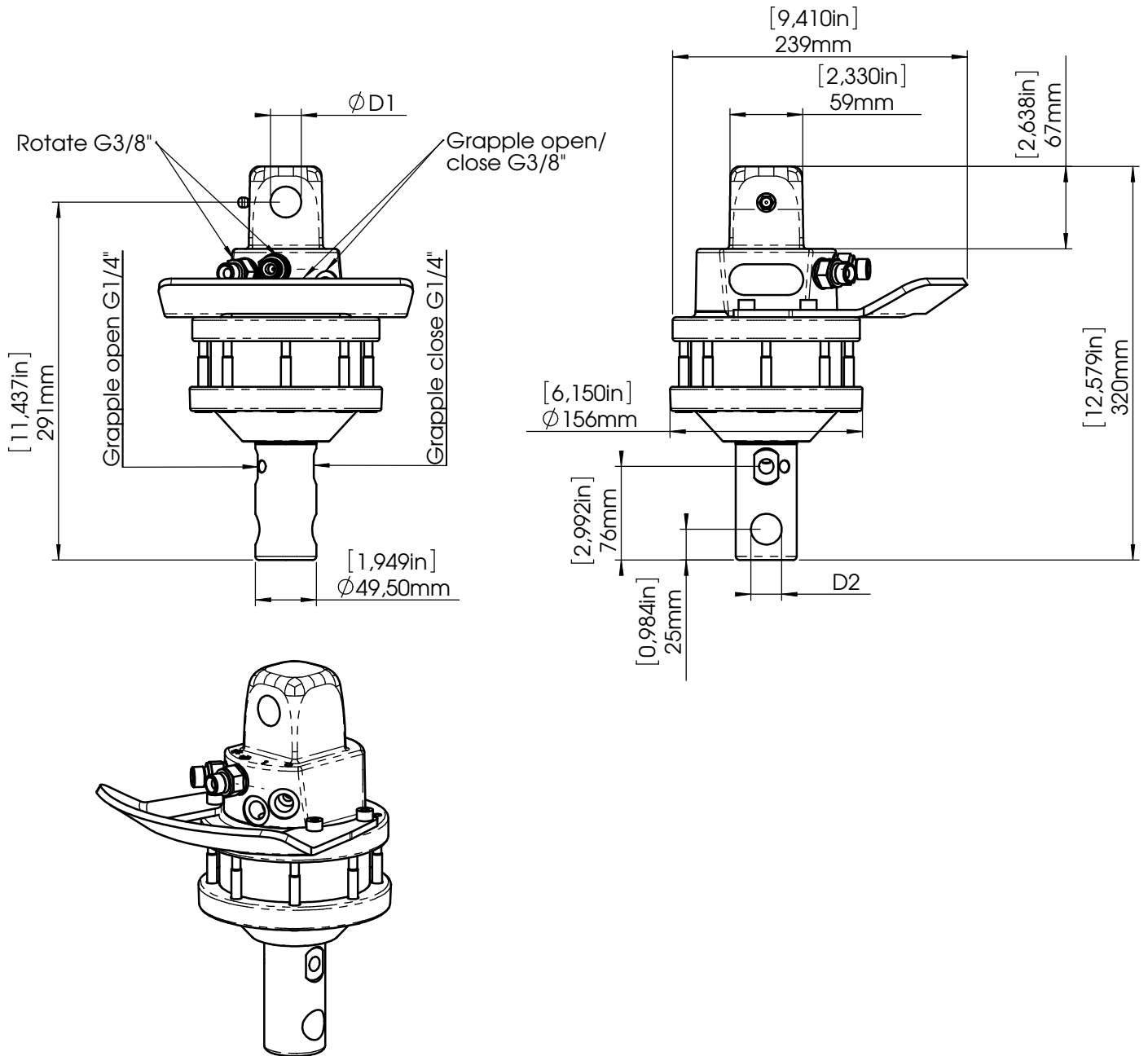
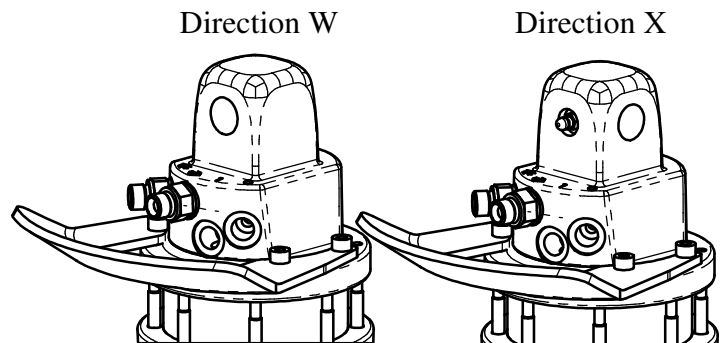


# Rotator FR 7 A



FR 7 A	
Rotation angle	Unlimited
Max. working pressure	200 bar
Displacement	300 cm <sup>3</sup>
Torque (200 bar)	780 Nm
Max. axial force	30 kN
Safe working load	2000 kg
Weight	16 kg



Basic models				
Item	Name	Direction	D1	D2
17020	FR 7-X24A24	X	24	24
17030	FR 7-X25A25	X	25	25
17032	FR 7-W25A25	W	25	25
17037	FR 7-W26A26	W	26	26